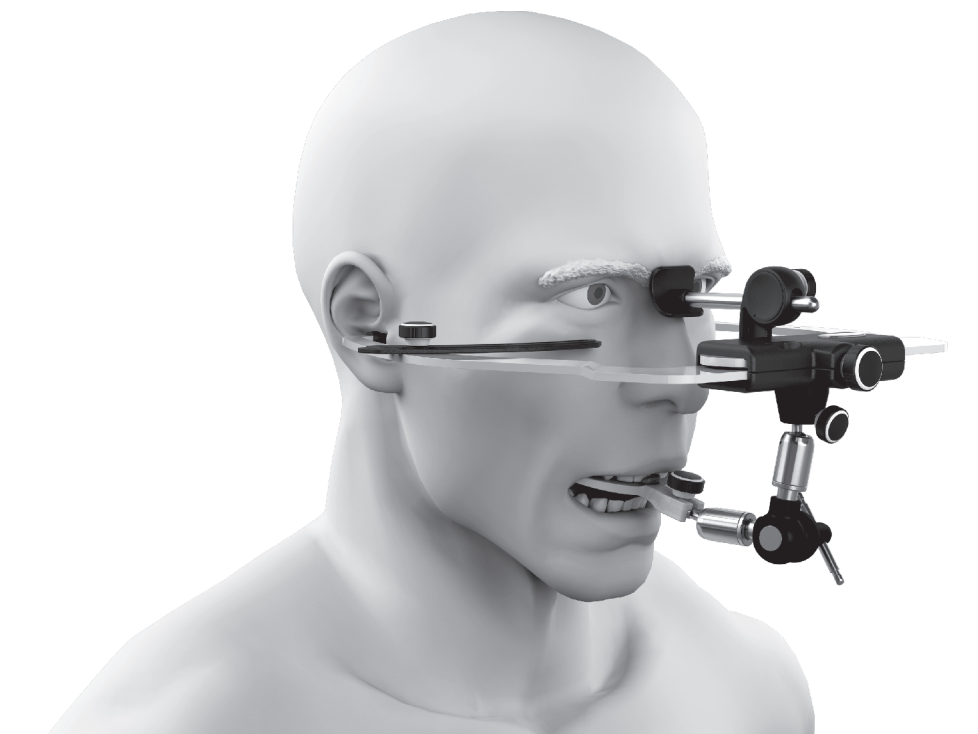


Elite

FaceBow



User Manual



1. Introduction.....	1
2. General description.....	1
3. Installation instructions.....	2
4. Use instructions.....	2
5. Care, precautions and safety.....	4
6. Cleaning, disinfection and maintenance.....	5
7. Special storage conditions.....	5
8. Problems and solutions.....	5
9. Technical specifications.....	6
10. Symbols.....	6
11. Package content.....	6
12. Term of warranty and technical assistance.....	6
13. Authorized technical assistance.....	7
14. Authorized Representative in Europe.....	7

▶ 1 - INTRODUCTION ◀



Read carefully all information contained in this User Manual before starting using your Elite Face Bow.

Elite Face Bow is an instrument especially developed to be used in the procedure of register and transfer of the upper dental arch spatial position of the patient in relation to the skull and the transfer of this register to the Bio-Art Articulators.



For ensuring the total effectiveness in the final results of the work, Elite Face Bow shall only be used with the Bio-Art Articulators.

This user manual contains all the necessary technical information regarding the device features and functions. For the success in the final results of the work which the equipment will be used in, it is compulsory for the professional to have a specific expertise through dental courses, especially occlusion and/or prosthesis, which are offered in many educational institutions and in the proper dentistry colleges, as a compulsory discipline.

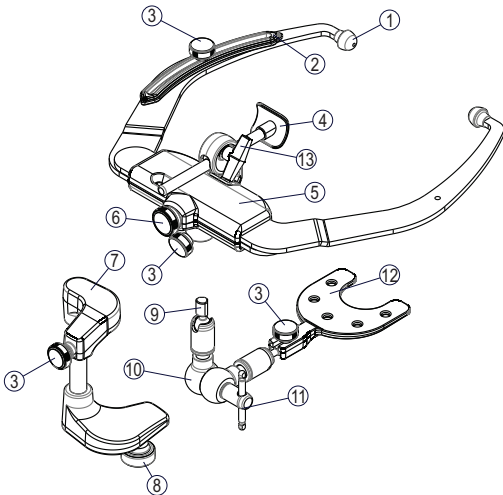


The use of the Elite Face Bow by non-trained professionals might cause damages to the product and/or the patient.

It is important to emphasize that the use of the Elite Facebow jointly with the Bio-Art Semi-Adjustable Articulators offer a simple, fast and completely secure process for reproducing the patient mandibular movements, with a high level of precision and at a low cost. They present great advantages when compared to the techniques that imply a considerable time and the use of expensive and complex equipment, as well as the work carried out with simple "occluder" (hinge), where the models assembly in this case is arbitrary and the movements are limited.

Therefore, we conclude that the use of the Elite Facebow jointly with the Bio-Art Semi-Adjustable Articulators is certainly recommended for most works with prostheses, occlusion and dental rehabilitation, among others, consisting of a simple, fast, and easy to apply technique, ensuring entirely satisfactory results both to the patient and the professional.

▶ 2 - GENERAL DESCRIPTION ◀



ITEM	QTY	DESCRIPTION
1	2	Ear pieces
2	1	Infra-orbital indicator
3	4	Fixation screws
4	1	Naziium relator
5	1	Lower and Upper guides
6	1	Brake locking knob
7	1	Transfer Set support
8	1	Fixation screw (Transfer Set Support)
9	1	Transfer Set Terminal
10	1	Transfer Set
11	1	Fixation screw
12	1	Polymer Dentulous Bitefork(Elite Bow)
13	1	Naziium support knob(Elite Bow)

► 3 - INSTALLATION INSTRUCTIONS

Due to its technical characteristics, the Elite Facebow does not require specific instruction for its installation, and for its correct use, the professional should just follow carefully the information provided by the manufacturer, available in this user manual.

Thus, all the responsibility regarding misuse of the equipment is sole responsibility of the professional who uses it.

► 4 - USE INSTRUCTIONS

The following instructions describe clearly and objectively the procedures for the correct use of the Elite Facebow.



Before using the Elite Facebow, always detach the ear pieces and dentulous bitefork and sterilize them in autoclave at temperature of 121°C. ATTENTION: we don't recommend sterilization at temperatures over 121°C, because this process might damage these parts.

4.1. Adjustment of the metal bows opening:

Use the brake locking knob (6) to lock the metal bows in the desired position (Fig.01A). Do not exaggerate with the force applied to the pulley, because it is not necessary and might damage the system.

For using the Elite Facebow with the Bio-Art Articulator model 4000-S, the approximate intercondylar distance can be easily obtained through the indicator window on the upper surface of Face Bow (Fig.01B). The indicator window shows three numbers (1, 2 and 3), which respectively corresponds to the small, medium and large intercondylar distances, separated by reference risks, which are the limits between them.

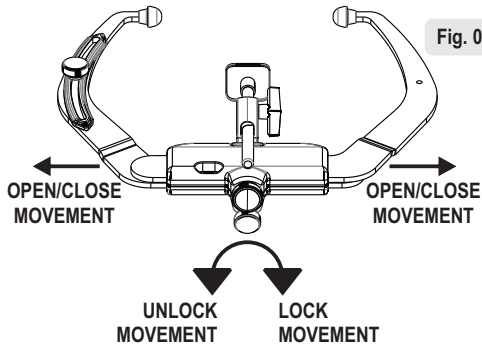


Fig. 01A

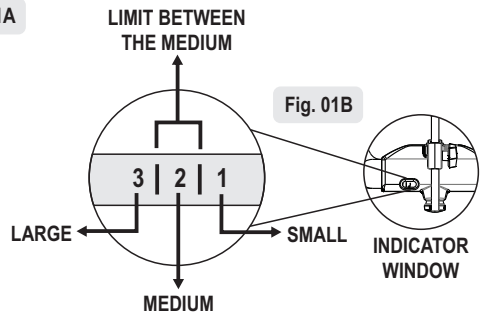


Fig. 01B

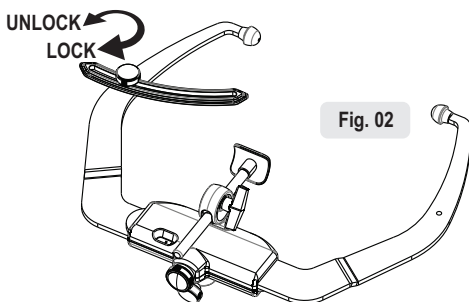


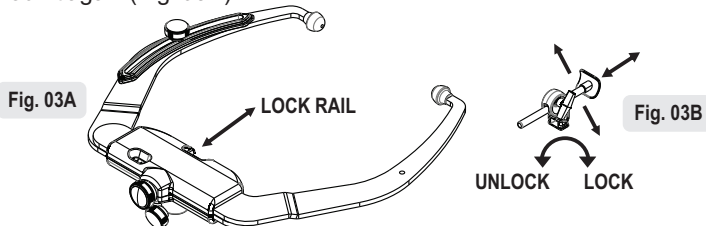
Fig. 02

4.2. Infra-orbital Indicator:

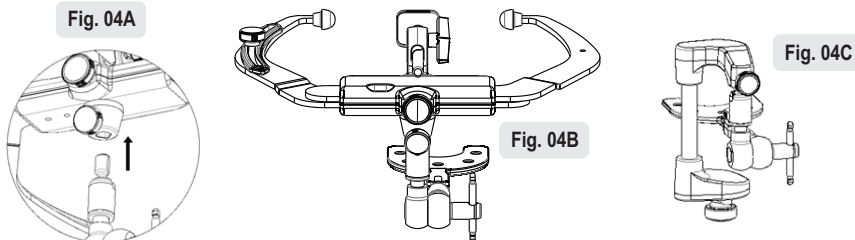
Use screw (3) to unlock or lock the infra-orbital indicator (Fig.02)

4.3. Naziun Relator Adjustment: The Naziun Relator (4) was especially developed to support the facebow, taking the Infra-orbital Indicator (2) as a reference as the third point in the patient horizontal plane. These shall be adjusted according to the Frankfurt or the Camper Plane in relation to each patient's anatomy.

For assembling the Naziun Relator (4) on the facebow, fit its base groove on the existing housing rail on the bow guide (Fig. 03A). In order to perform the adjustment on the patient, unlock Naziun support knob (13) and after the correct positioning of the Naziun (4) on the patient, lock it again (Fig. 03B).

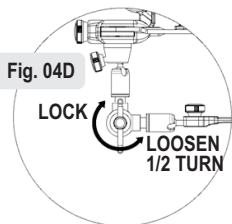


4.4. Transfer Set: For the assembly of the Transfer Set (10) on the bow, fit the Transfer Set terminal (9) on the bow till the end (fig. 04A) and fix the terminal by means of the Fixation screw (3). The Transfer Set terminal (9) is provided with the prism fitting system, which ensures repeatability in its positioning, provided that the lever, which locks the transfer set during the performance of the register does not loosen and it is fitted until the end of the face bow housing. Always remember to leave the lever to the right side during the patient's register taking, in order to avoid any possible interference with the set Support column during the transfer to the articulator. (fig.04B,04C).



! Make sure that the fitting terminal (9) of the Transfer Set is fully inserted inside the Face Bow groove before providing its fixation.

! Always assemble the Transfer Set in the facebow with the quick lock lever (11) to the user's right side.



04B- Transfer Set (10): It is not necessary to unlock the lever totally for the patient positioning. Loosen only have a turn of the lever only to release the joints movement. After the patient's positioning turn the lever clockwise to lock the set (fig.04D).

! The quick lever locking system of the Transfer Set was especially designed so that its locking occurs satisfactorily without the need of applying excessive strength.

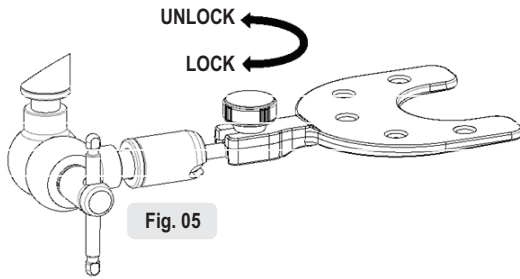


Fig. 05

05- Dentulous bitefork (12): Position the bitefork in the transfer set until the transfer set limit and use the screw to fix it (fig.05).



The Dentulous Bitefork (12) shall not be placed directly over the flame. If necessary, heat the bitefork using only hot water.

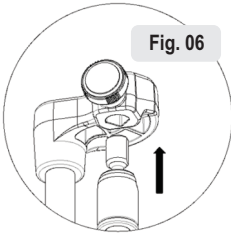


Fig. 06

06- Transfer Set Support (11): For the assembling of the Transfer Set (10) in its respective Support (11), fit the set terminal (9) until the end of the support groove and fix the terminal by means of the fixation screw (3). The transfer set terminal (9) is provided with the prism fitting system, which ensures repeatability in its positioning, provided that the locking lever (11) does not loosen and it is fitted until the end of the face bow groove of the Transfer Set Support (11).



Make sure that the Transfer Set fitting terminal (9) is fully inserted in the Transfer Set Support groove (11) before performing its fixing.

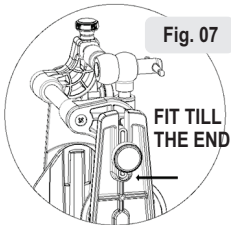


Fig. 07

07- Articulator assembly: When fitting the transfer set support (11) in the articulator, take it to the end of the groove to guarantee the register position and then lock the screw (fig.07).

▶ 5 - CARE, PRECAUTIONS AND SAFETY ◀

This manual contains only the basic information related to the use of the device, which do not replace the proper users' course and training, considering that Elite Facebow is a product intended for use only by professionals qualified in the area.

The Elite Facebow was designed for use only and exclusively with Bio-Art Articulators line.

The bows coupling system are provided with a rack and a gear, so do not force the bows opening or closing beyond their displacement limit, since this might damage the gear teeth compromising the equipment functionality.

The fixation screws and levers tightening shall be made with no excess of force in order not to damage the equipment



Special care must be taken when using godiva or any other register material, not to heat the material in excess, which might cause burns on the patient. Bio-Art strongly recommends the user to follow the instructions by the manufacturers of godiva or any other material used for register.



Before using the Elite Face Bow, it shall be cleaned with warm water, but the Dentulous Bitefork and Ear Pieces shall be sterilized in autoclave at a temperature of 121C°. The Naziun Relator and the infra-orbital indicator shall be disinfected with a bactericidal tissue or alcohol 70°.

▶ 6 - CLEANING, DISINFECTION AND MAINTENANCE ◀

6.1. Cleaning and Disinfection

Facebow and Transfer Set Support: Use only a soft sponge and water. Never use solvents, metal spatula or sharp objects for cleaning.

Transfer Set: it shall be washed under running water with a soft sponge and dried with absorbent towels or compressed air.

Dentulous bitefork and ear pieces: these shall be washed in an ultrasonic cleaner and then sterilized at a temperature of 121 C°.



Do not use temperature above 121°C for the autoclaving process, because this process might damage the parts.

Naziun Relator and Infra-orbital indicator: These shall be washed in an ultrasonic cleaner and then disinfected with a bactericidal tissue or with alcohol 70°.



Except for the Dentulous bitefork and the ear pieces, no other item of Elite Face Bow can be sterilized.

6.2. Maintenance.

All maintenance or adjustments on the Elite Facebow, as well as any of its accessories, must be carried out by the Authorized technical assistance.



Never disassemble the Transfer Set, since it contains small parts that might be lost or incorrectly reassembled, impairing or preventing the equipment use.

In case of doubts, contact Bio-Art or any of its Authorized Technical Assistance companies.

▶ 7 - SPECIAL STORAGE CONDITIONS ◀

Elite Facebow, as well as its accessories, must be handled, transported and stored with care.

Even when stored in the corresponding case, avoid falls, mechanical and physical shocks in order to maintain the product quality and precision.

When not used for a long period of time, keep it in the corresponding case and in a dry place, away from heat sources and direct sunlight.

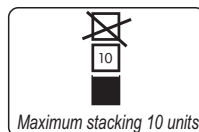
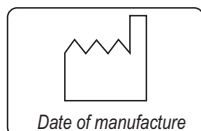
▶ 8 - PROBLEMS AND SOLUTIONS ◀

PROBLEM	POSSIBLE CAUSE	SOLUTION
The metal bows do not slide freely	Brakes on	Unlock the brake by turning the pulley counterclockwise
	Existence of any small object between the polymeric guides	Remove the object with tweezers
The lever tightening is not generating the necessary fixation in the transfer set	Wear on the transfer set internal components.	Submit the product to Authorized technical assistance.
	Internal disassembly of the transfer set components	
Difficulty to manipulate the transfer set	Locking of any internal component of the transfer set	Check whether there is accumulation of dirt between the mobile parts and clean as indicated in item 6 of this manual.

► 9 - TECHNICAL SPECIFICATIONS ◀

DIMENSIONS:	220x215x120mm (WxDxH) (without package)
	250x250x60mm (WxDxH) (with package)
WEIGHT:	350g. (without package)
	545g. (with package)
OPENING:	96mm (minimum)
	177mm (maximum)

► 10 - SYMBOLS ◀



► 11 - PACKAGE CONTENTS ◀

- 01 Elite Face Bow;
- 01 Naziun Relator;
- 01 Transfer Set;
- 01 Transfer Set Support;
- 01 Dentulous Bitefork (Autoclavable);
- 01 User Manual.

► 12 - TERM OF WARRANTY AND TECHNICAL ASSISTANCE ◀

BIO-ART Equipamentos Odontológicos Ltda., grants 1 year warranty for this Elite Face Bow starting from the date of acquisition. This warranty covers all and any manufacturing defect, being provided through repair of the product, and subjected to the following requirements:

- That the product has been used correctly in accordance with the provided instructions.
- We remind that Elite Face Bow shall be stored, transported and stored with care. Drop of or strokes on the equipment will characterize misuse, thus leading to loss of warranty.
- That the claim is accompanied by the Bill of Sale for the product purchase.
- The equipment Technical assistance can only be carried out by the Bio-Art Authorized technical assistance network.
- Any undue alteration will lead to loss of Warranty.
- In case of submission of the equipment to the Authorized technical assistance, make sure the equipment is duly packed in order to avoid damages caused by the transport.
- Any defects pursuant to the product natural wear are excluded from this warranty, as well as damages caused during the round trip transport.

The information contained in this manual is subjected to changes, which might be made without prior notice.

In order to take benefit of this warranty, the consumer shall send the product at his costs (freight covered by the owner) to the Bio-Art Technical assistance to the following address:



BIO-ART EQUIPAMENTOS ODONTOLÓGICOS LTDA.

Rua Teotônio Vilela, 120 – Jardim Tangará
CEP 13568-000 – São Carlos – SP – Brazil
Tel. +55 (16) 3371-6502 – Fax +55 (16) 3372-5953
CNPJ 58.538.372/0001 – State Reg 637.034.447.113
www.bioart.com.br

► **13 - AUTHORIZED TECHNICAL ASSISTANCE** ◀

For your safety, this product's technical assistance shall be provided by authorized personnel/companies. See our site www.bioart.com.br for the Authorized Technical assistance posts.

► **14 - AUTHORIZED REPRESENTATIVE IN EUROPE** ◀

Obelis s.a

Boulevard Général Wahis 53
1030 Brussels, BELGIUM
Tel: +(32) 2. 732.59.54 - Fax: +(32) 2.732.60.03
E-Mail : mail@obelis.net



Bio-Art Equipamentos Odontológicos Ltda

Rua Teotônio Vilela, 120 - Jd. Tangará - CEP 13568-000 - São Carlos - SP - Brasil
Tel. +55 (16) 3371-6502 - Fax +55 (16) 3372-5953 - www.bioart.com.br